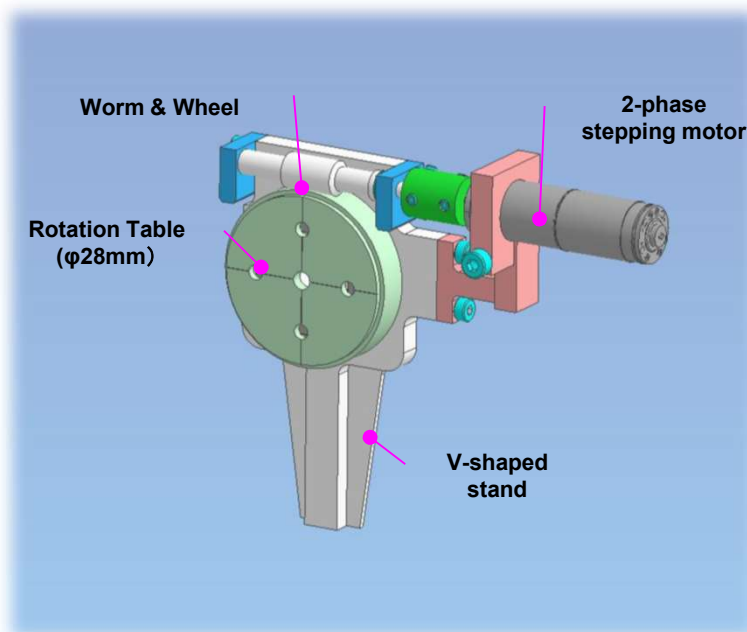
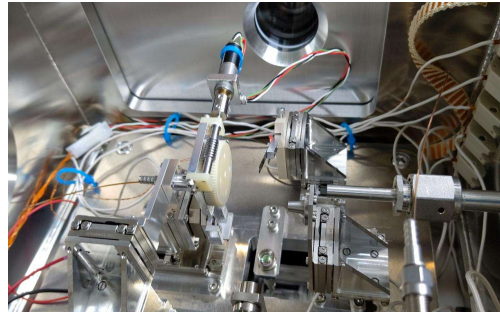




Ultrasmall azimuthal rotation sample holder <CRA04A-WV2>

The CRA04A-WV2 ultrasmall rotation stage is generally mounted vertically and used for rotating the azimuthal angle of the sample.
Rotation table size is only $\phi 28\text{mm}$ and it could be placed in narrow place.
Besides, a precision cross roller realizes small surface runout, $<15\mu\text{m}$ / 360 degree.



Features

◆ Small rotation table
($\phi 28\text{mm}$)

◆ Compact whole
dimension.

◆ 60g weight

◆ Small surface runout,
 $<15\mu\text{m}$ / 360 deg.

Specifications

Model	CRA04A-WV2
Table size	$\phi 28\text{mm}$
Stroke	360°
Resolution	$\cong 0.002^\circ$ / half step
Guide mechanism	Worm & Wheel with cross roller ring
Surface runout	$< 15\mu\text{m}$ / 360 degree
Actuator	2-phase Stepping Motor
Material	Aluminum & Resin parts
Dimension	83 x 18 x 68 (W x L x H : mm)
Weight	60g